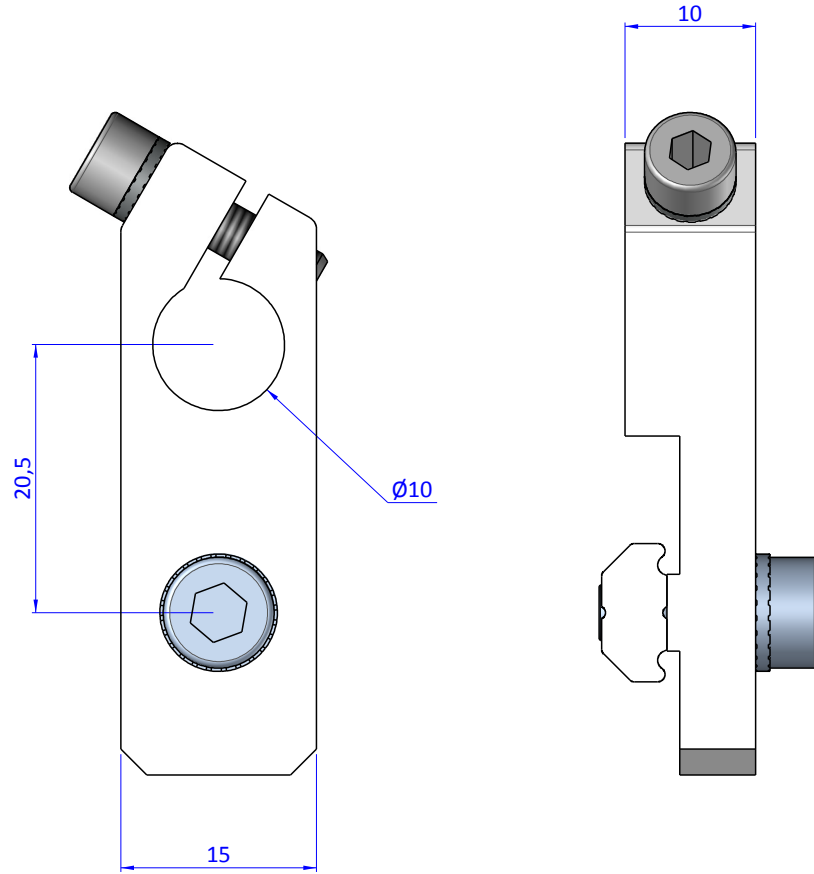
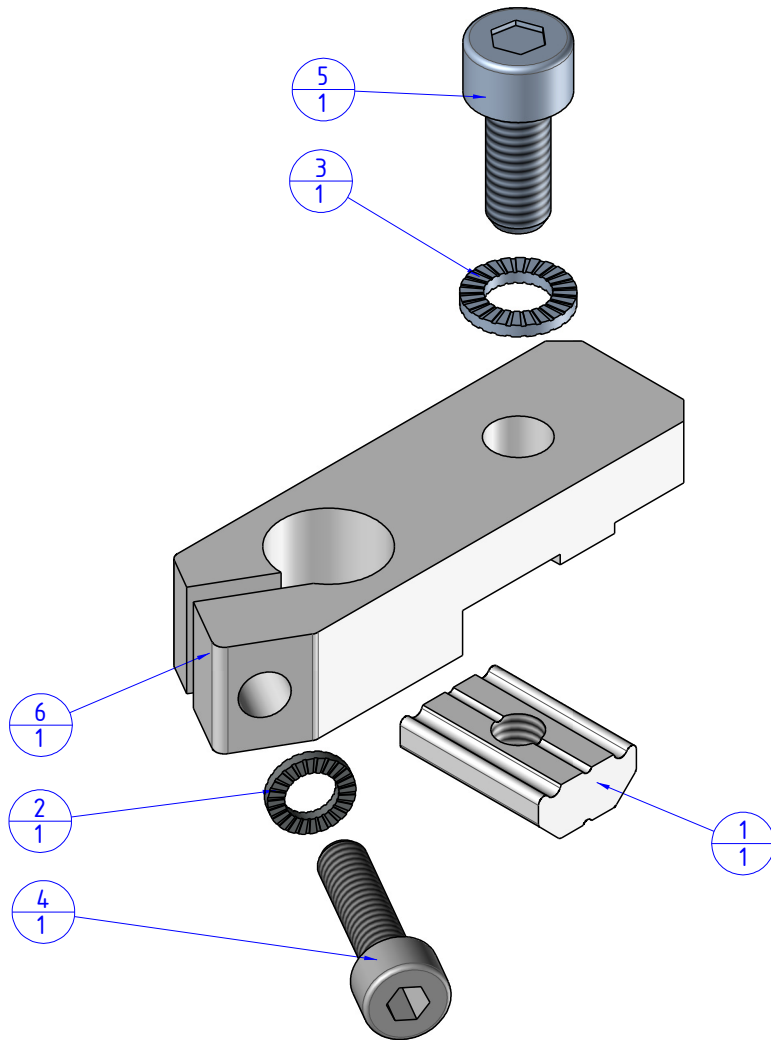


THE PROPERTY OF THE DRAWING IS ESTABLISHED BY LAW. IT IS FORBIDDEN TO PRODUCE OR SHOW IT TO THIRD PARTY, WITHOUT A WRITTEN AGREEMENT.

Item	Name	Q.ty
1	CA.GWP.5U	1
2	R.4.SCH	1
3	R.5.SCH	1
4	V.TCE4x16	1
5	V.TCE5x12	1
6	WST.10	1



Format A3

UNI 936-76

FP SERVICES AUTOMATION		DESIGNED FROM FPSERVICES	REVIEW A
GENERAL TOLERANCE UNI - ISO 2768 CLASSE F	DESCRIPTION CA.WST.10	DATE 30/04/2016	WEIGHT 0,022kg
		CODE CA.WST.10	